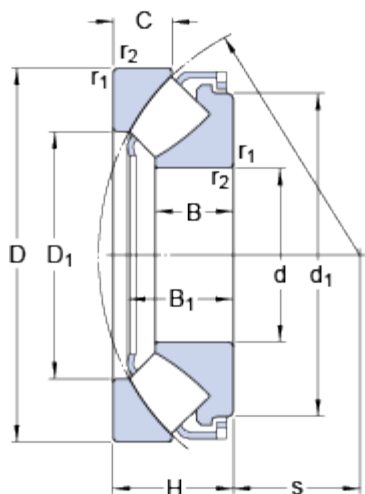


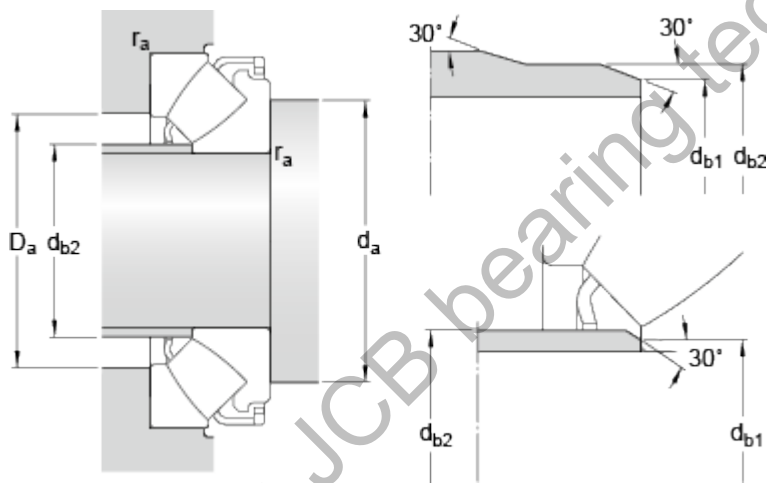
29412

Dimensions



d	60	mm
D	130	mm
H	42	mm
d <sub>1</sub>	≈ 112	mm
D <sub>1</sub>	≈ 85.5	mm
B	27	mm
B <sub>1</sub>	36.7	mm
C	21	mm
s	38	mm
r <sub>1,2</sub>	min. 1.5	mm

Abutment dimensions



d <sub>a</sub>	min. 90	mm
d <sub>b1</sub>	max. 67	mm
d <sub>b2</sub>	max. 67	mm
D <sub>a</sub>	max. 107	mm
r <sub>a</sub>	max. 1.5	mm

Calculation data

Basic dynamic load rating	C	390	kN
Basic static load rating	C <sub>0</sub>	915	kN
Fatigue load limit	P <sub>u</sub>	114	kN
Reference speed		2800	r/min
Limiting speed		5000	r/min
Minimum axial load factor	A	0.08	

Mass

Mass bearing		2.6	kg
--------------	--	-----	----